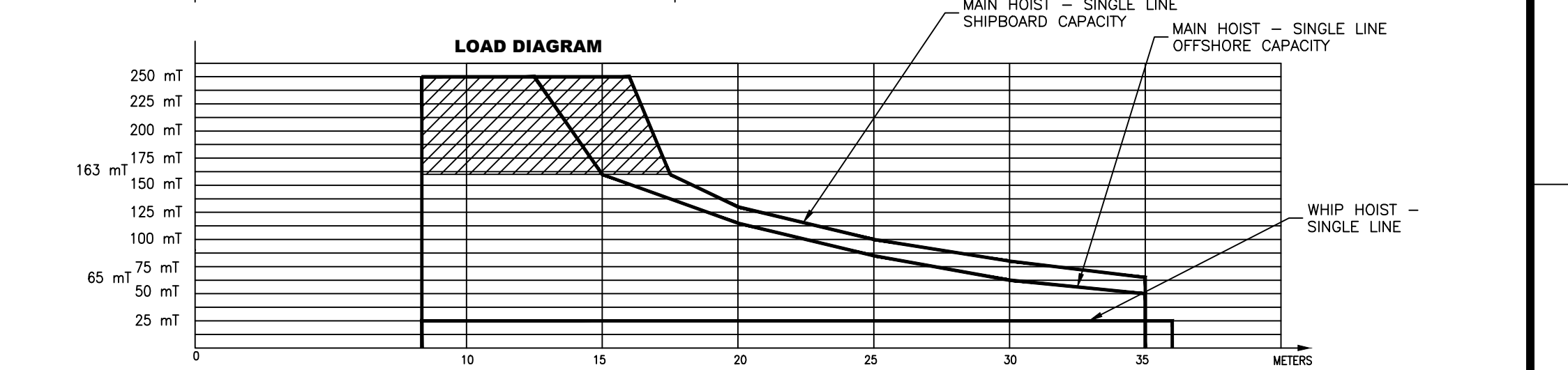
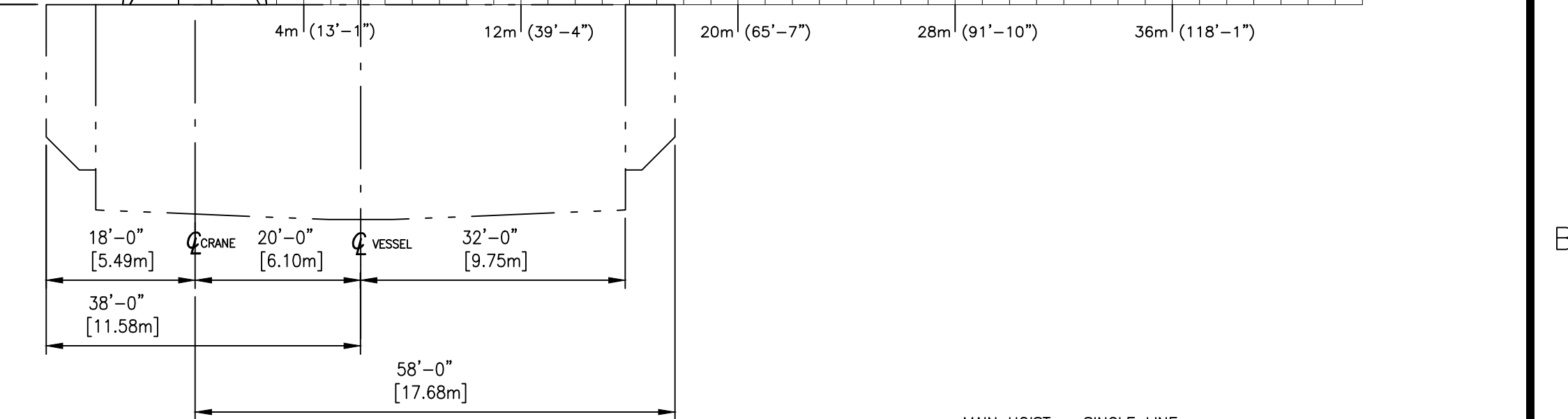
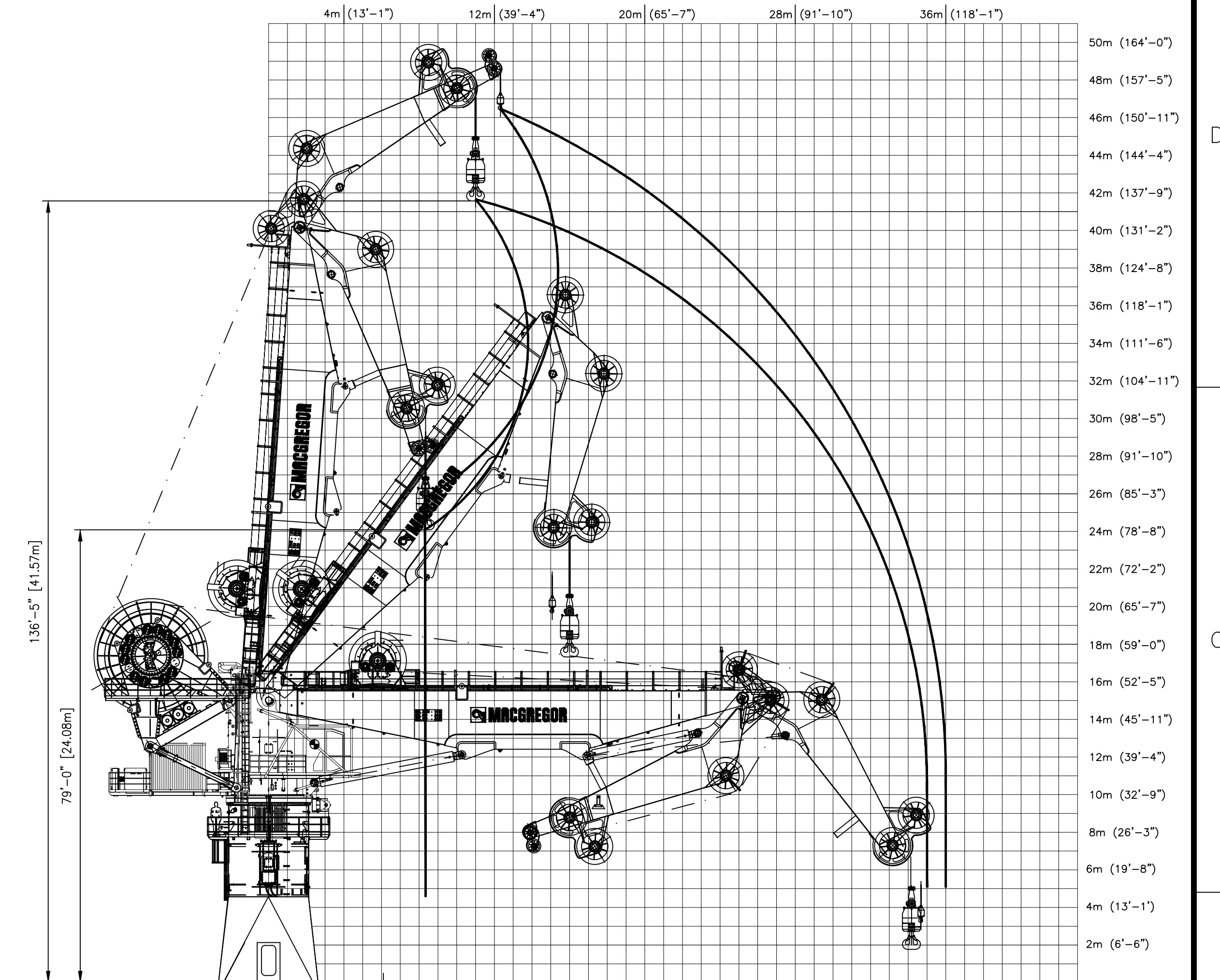
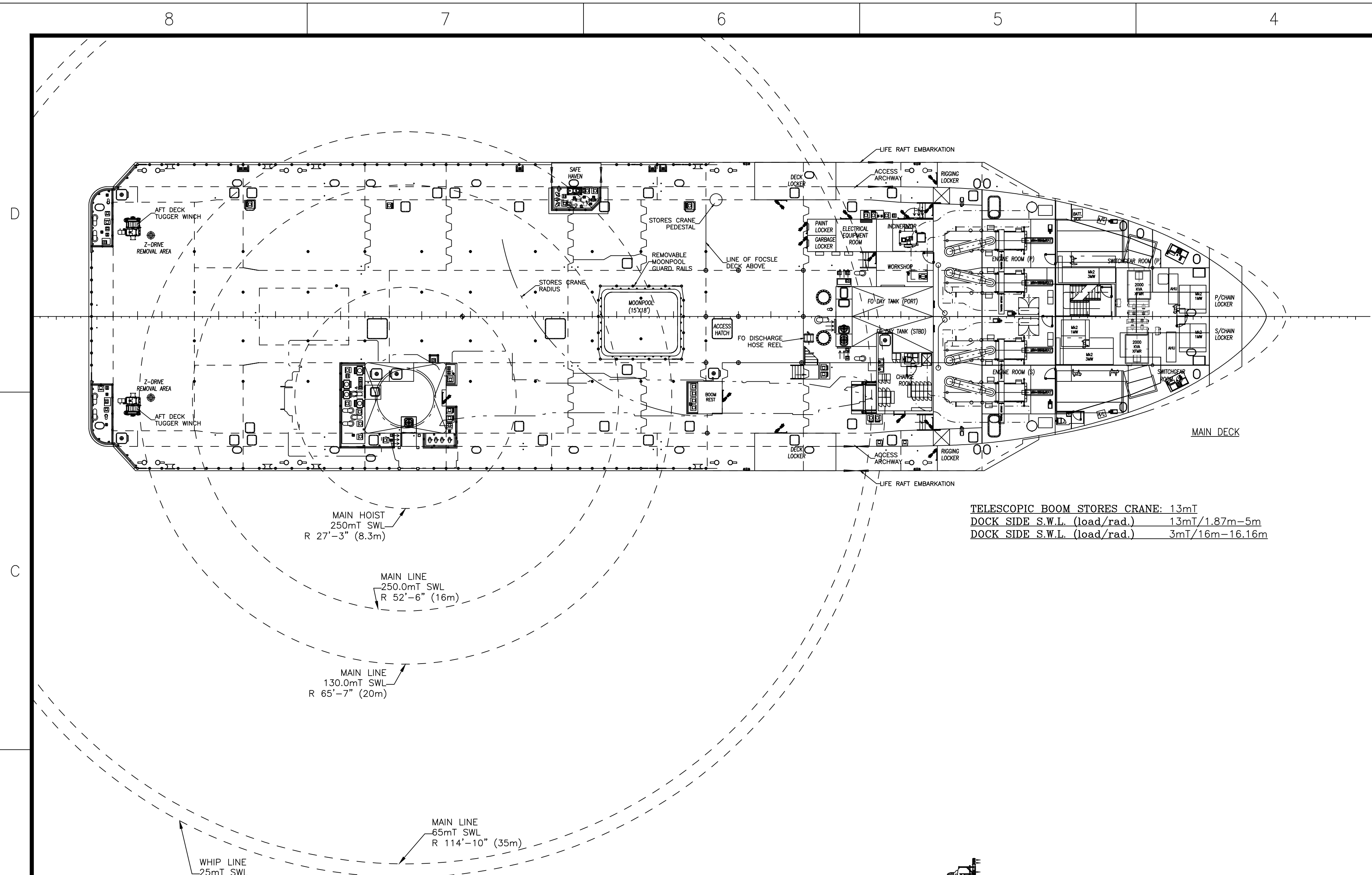


REVISIONS			
REV	DESCRIPTION	BY	DATE

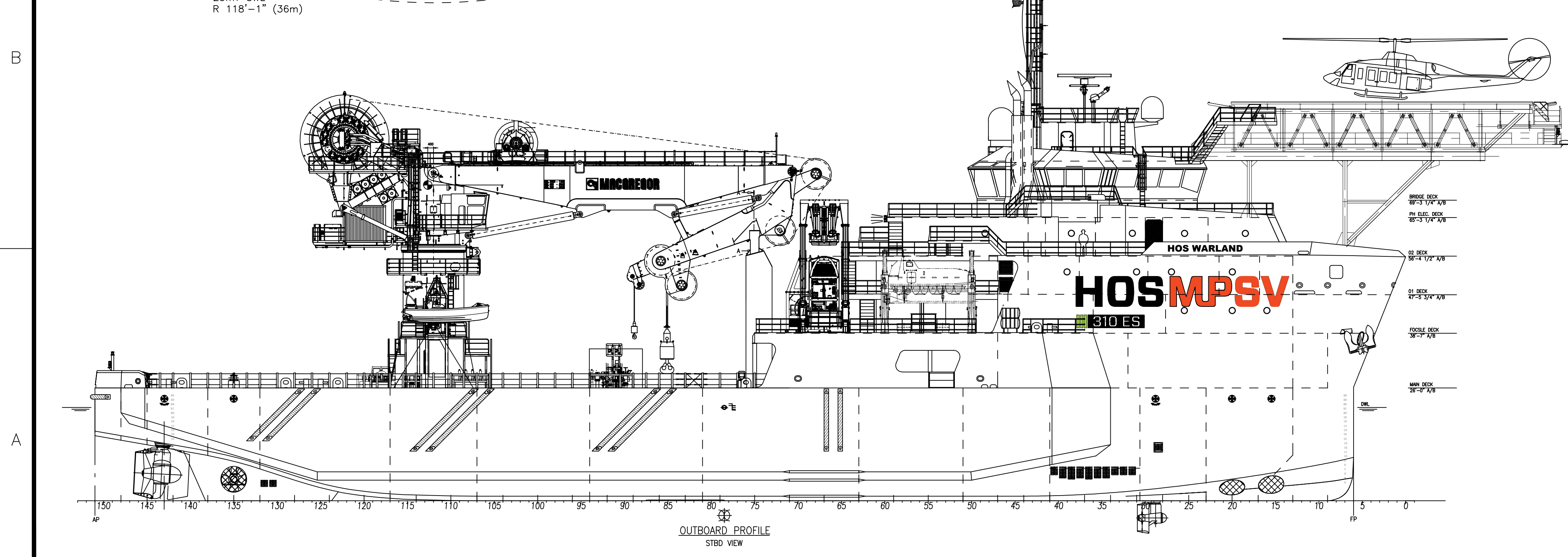


KNUCKLE BOOM CRANE: 250mT AHC
 MAIN HOIST
 S.W.L. (load/rad./speed) 250mT/8.3-16m/20m/min
 S.W.L. (load/rad./speed) 65mT/35m/80m/min

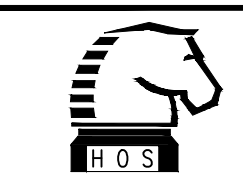
WATER DEPTH (METERS)	LOAD (SWL AT WD)
1000	207.4mT
2000	164.7mT
3000	122.1mT
3700	92.3mT

WHIP HOIST
 S.W.L. (load/rad./speed) 25mT/8.3m-36m/120m/min
 WIRE LENGTH 3,700m

WATER DEPTH (METERS)	LOAD (SWL AT WD)
3700	4.56mT



OUTBOARD PROFILE
STBD VIEW


 THIS DRAWING, DESIGN CONCEPT AND SPECIFICATIONS ARE THE PROPERTY OF HORNBECK OFFSHORE SERVICES AND ARE FURNISHED ON A CONFIDENTIAL BASIS WITH AN EXPRESSED UNDERSTANDING THAT THEY WILL NOT BE COPIED IN ANY MANNER USED FOR MANUFACTURE, SOLD, TRANSFERRED, NOR USED TO THE DETRIMENT OF SAG FIRM WITHOUT WRITTEN PERMISSION.

HORNBECK OFFSHORE SERVICES
 DRAWN BY: M. STANSBURY
 CH'KD. BY: M. STANSBURY
 APP'D. BY: P. LUBRANO
 TASK # 6277

302'-0" x 76'-0" x 26'-0"
CRANE AND LIFTING ARRANGEMENT
 SCALE: 3/32"=1'-0"
 DRAWING # 6.805

DATE: 08-24-16
 HULL # ESG-241
 SHEET 1 OF 1

REV. 0